

Wet. wipes

WALL-MOUNTED WIPES DISPENSER

Providing premium protection and care for your workplace

In shared facilities, it's important to reduce cross-contamination and protect your staff and customers from the risks of poor surface hygiene.

It's easy to keep surfaces looking clean – but in today's environment it is more important to keep them hygienic too. Our handy WetWipe dispenser helps you do both.

- Stylish wall-mounted design
- Robust, re-fillable and recyclable
- Ideal to create a workplace sanitising station
- Hygiene in an instant - break the infection chain!



Why choose our All Purpose Disinfectant Sanitising Wipes?



ELIMINATES HARMFUL VIRUSES & BACTERIA

Antimicrobial Benzalkonium Chloride kills 99.99% germs



HYGIENICALLY SUPERIOR

Disposable wipes that clean and sanitise



EASY TO USE

Individual pre-moistened wipes – easy dispensing solution



SUSTAINABLY SOUND

No more throw away plastic wipe containers!

Proactively preventing the spread of infection for today's new normal



Ideal for cleaning and sanitising work surfaces and equipment

- Antimicrobial Benzalkonium chloride wipes eliminate harmful viruses and bacteria on any surface i.e.
 - Hands
 - Office equipment
 - Shared surfaces
 - Toilet seats
- Easy dispensing - perforated pre-moistened wipes
- 200 wipes per refill

Sustainably sound

- Biodegradable wipes made from non-woven viscose
- WetWipe dispenser - refillable, robust and recyclable
- No more throw away plastic wipe containers!

Product range



WetWipes Dispenser
SKU# 30001
White

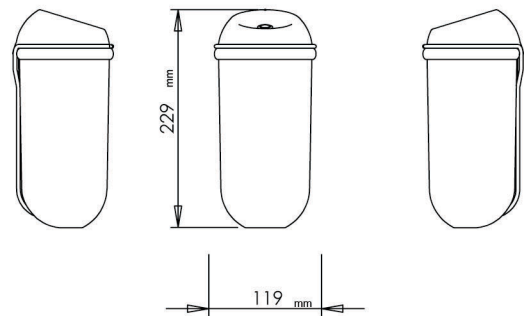


WetWipes Dispenser
SKU# 30008
Black



All Purpose Disinfectant
Sanitising WetWipes
SKU# 33100
200 Wipes/Refill
36 Refills/Carton

Specifications



Distributor:

For more information

hello@pureconcepts.co.nz

www.pureconcepts.co.nz

